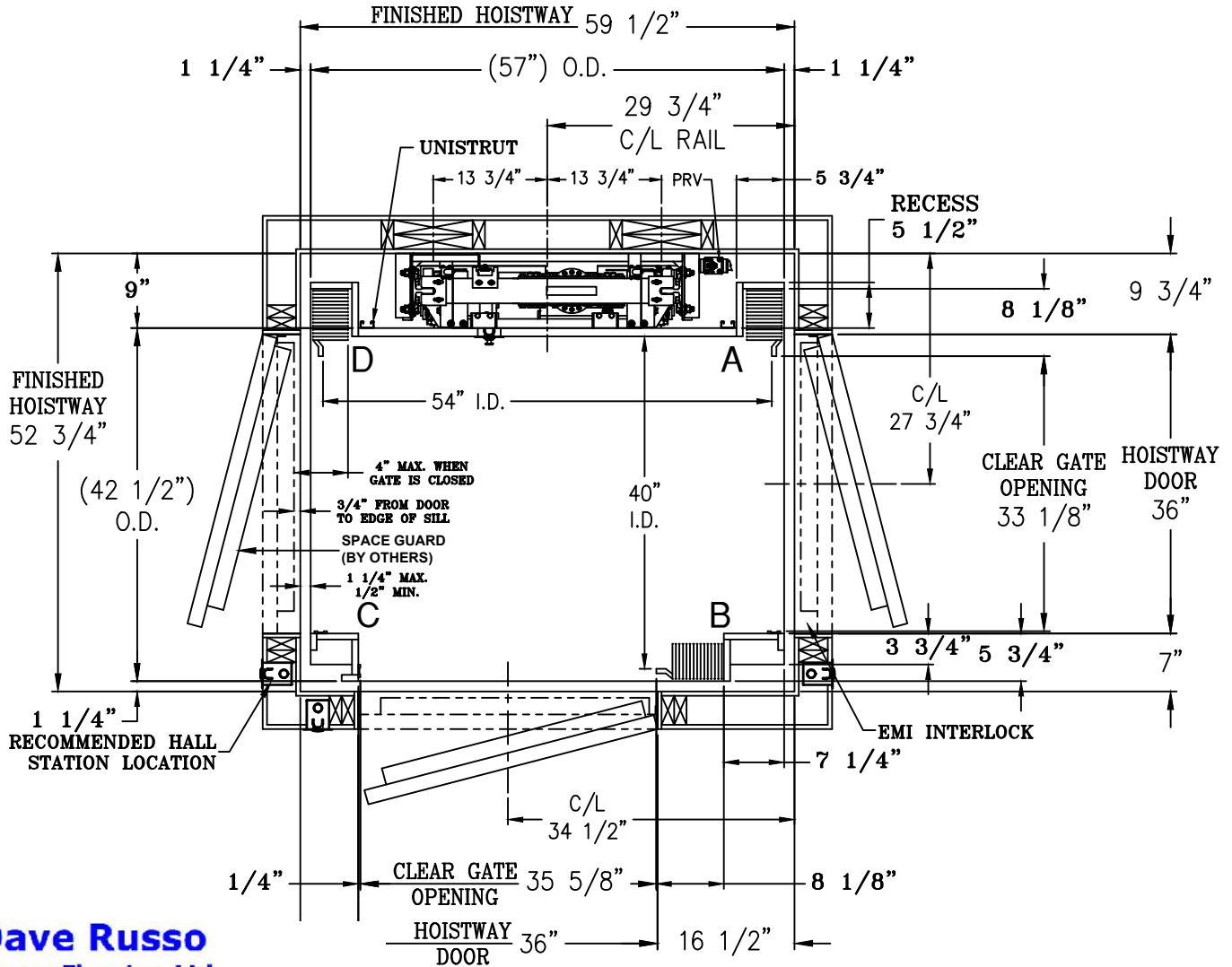


**DOOR SPACE GUARD REQUIRED TO COMPLY WITH ASME A17.1-2019 SECTIONS 5.3.1.8.2 AND 5.3.1.9.3 (b). CONTACT LOCAL CODE AUTHORITY FOR SPACE GUARD SIZE REQUIREMENTS.**

DIMENSIONS ARE IDENTICAL PER SIDE UNLESS NOTED.



**Dave Russo**  
Access Elevator, Ltd

[www.accesselevatortd.com](http://www.accesselevatortd.com)

94 Verdi Street  
Farmingdale, NY 11735  
631-694-4400 ph  
631-454-6311 fax

[david@accesselevatortd.com](mailto:david@accesselevatortd.com)

- 1) HOISTWAY BY OTHERS PER CODE. WALLS TO BE PLUMB AND SQUARE. ALL HOISTWAY DOORS BY OTHERS PER CODE.
- 2) FINISHED HOISTWAY = ROUGH FRAMING + DRYWALL + PLASTER + PAINT.

<b>FOX VALLEY ELEVATOR</b>		1726 North Ballard Road Appleton, WI 54911 Phone: 800-238-8739	
<b>ELEVATOR CONTRACTOR:</b>			
<b>JOB NAME:</b>		<b>ORDER NUMBER:</b>	
<b>EXCELEVATOR SERIES HYDRAULIC ELEVATOR ABR BC DCR OPENING W/ ACCORDION GATE</b>			
<b>DRAWN BY:</b>	<b>DATE:</b>	<b>SIGNATURE OF APPROVAL</b>	<b>DWG. NO. C-003063</b>