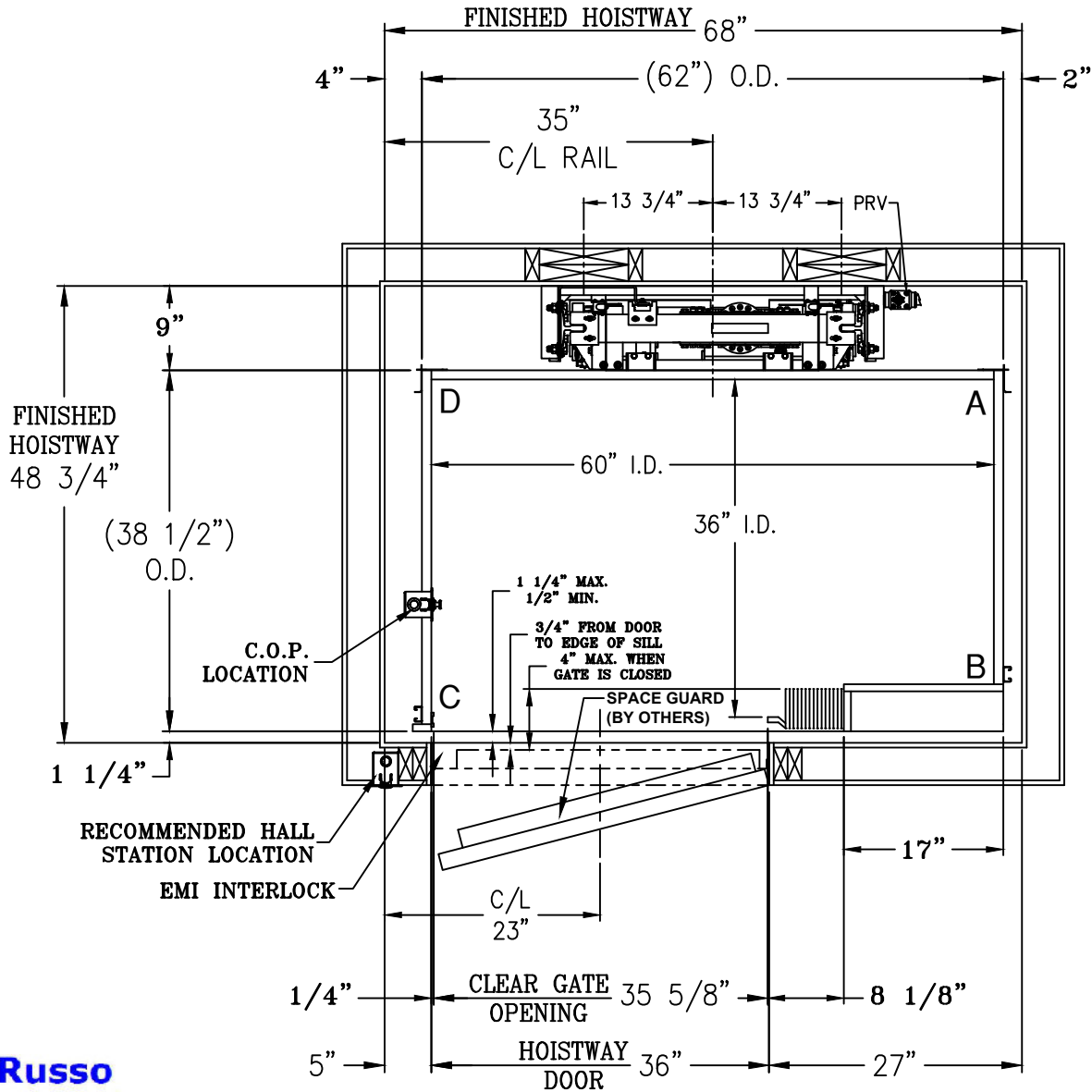


**DOOR SPACE GUARD REQUIRED TO COMPLY WITH ASME A17.1-2019 SECTIONS 5.3.1.8.2 AND 5.3.1.9.3 (b). CONTACT LOCAL CODE AUTHORITY FOR SPACE GUARD SIZE REQUIREMENTS.**



**Dave Russo**  
Access Elevator, Ltd

[www.accessellevatorltd.com](http://www.accessellevatorltd.com)

94 Verdi Street  
Farmingdale, NY 11735  
631-694-4400 ph  
631-454-6311 fax

[david@accessellevatorltd.com](mailto:david@accessellevatorltd.com)

- 1) HOISTWAY BY OTHERS PER CODE. WALLS TO BE PLUMB AND SQUARE. ALL HOISTWAY DOORS BY OTHERS PER CODE.
- 2) FINISHED HOISTWAY = ROUGH FRAMING + DRYWALL + PLASTER + PAINT.

**FOX VALLEY ELEVATOR**™  
1726 North Ballard Road  
Appleton, WI 54911  
Phone: 800-238-8739

ELEVATOR CONTRACTOR:

JOB NAME:

ORDER NUMBER:

**EXCELEVATOR SERIES  
HYDRAULIC ELEVATOR  
BC OPENING W/ ACCORDION GATE**

DRAWN BY:

DATE:

SIGNATURE OF APPROVAL

DWG. NO.

**C-002859**