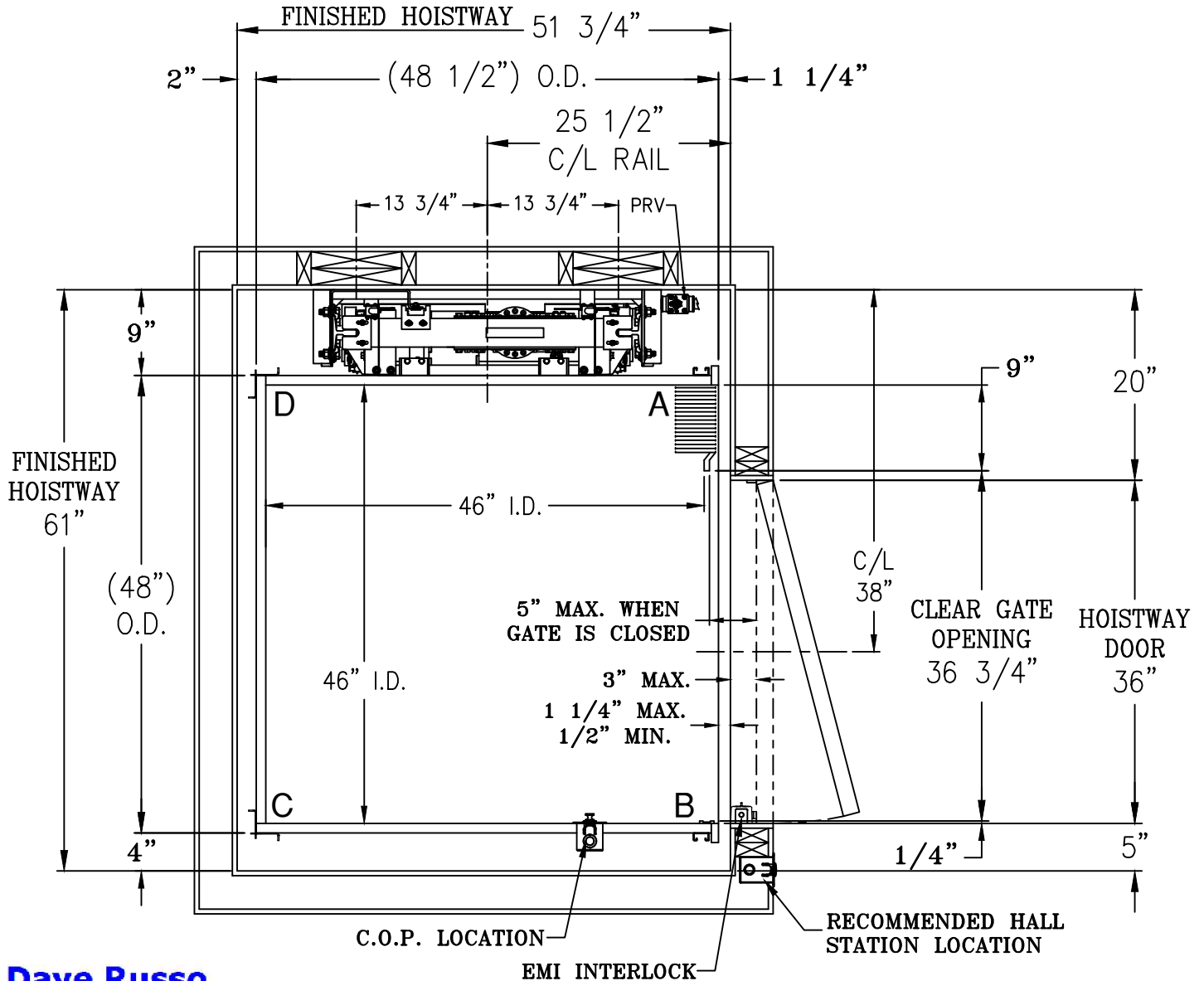


ACCESS ELEVATOR LTD.

Call Us Today 631.694.4400



REV. C



Dave Russo
Access Elevator, Ltd

www.accesselevatortd.com
94 Verdi Street
Farmingdale, NY 11735
631-694-4400 ph
631-454-6311 fax

david@accesselevatortd.com

- 1) HOISTWAY BY OTHERS PER CODE. WALLS TO BE PLUMB AND SQUARE. ALL HOISTWAY DOORS BY OTHERS PER CODE.
- 2) FINISHED HOISTWAY = ROUGH FRAMING + DRYWALL + PLASTER + PAINT.
- 3) 2 7/8" MINIMUM WIDTH REQUIRED TO MOUNT LOCK TO JAMB.

Waupaca
ELEVATOR COMPANY™

1726 North Ballard Road
Appleton, WI 54911
Phone: 800-238-8739

ELEVATOR CONTRACTOR:			
JOB NAME:		ORDER NUMBER:	
EXCELEVATOR SERIES HYDRAULIC ELEVATOR AB OPENING W/ ACCORDION GATE			
DRAWN BY:	DATE:	SIGNATURE OF APPROVAL	DWG. NO. C-002849